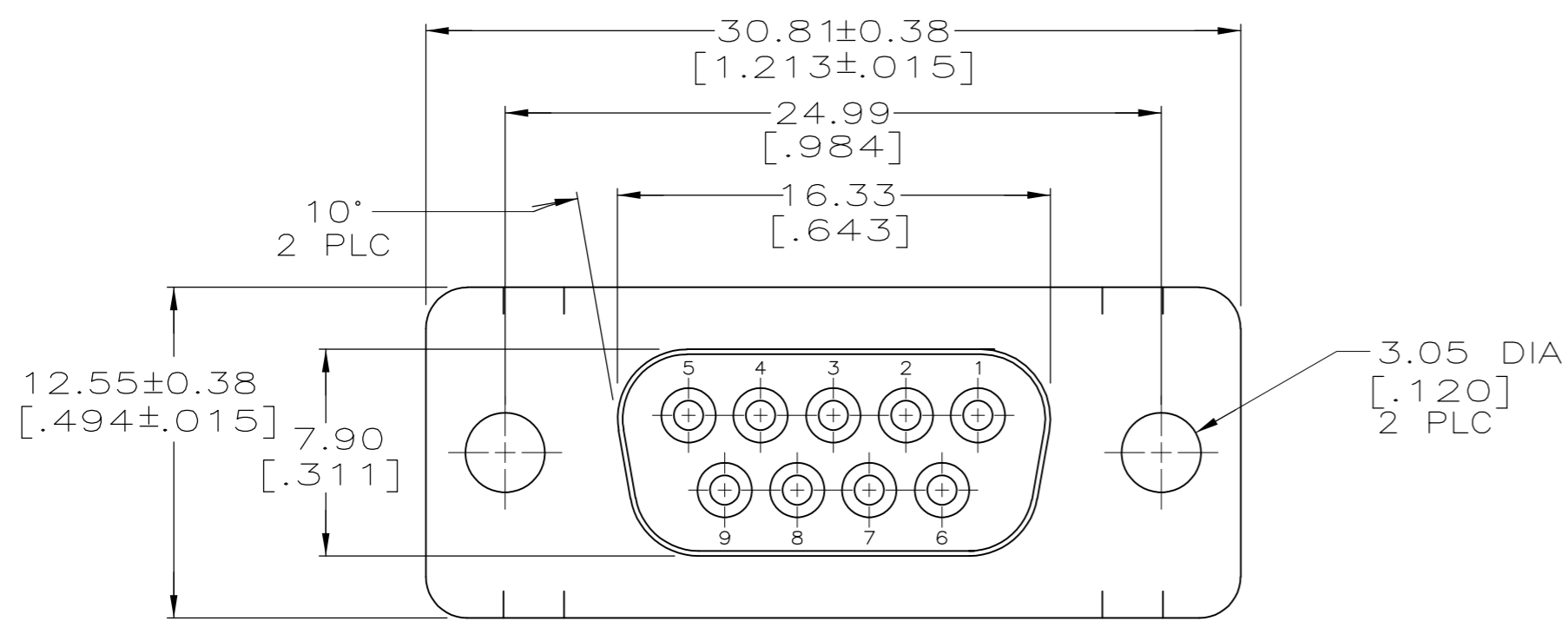
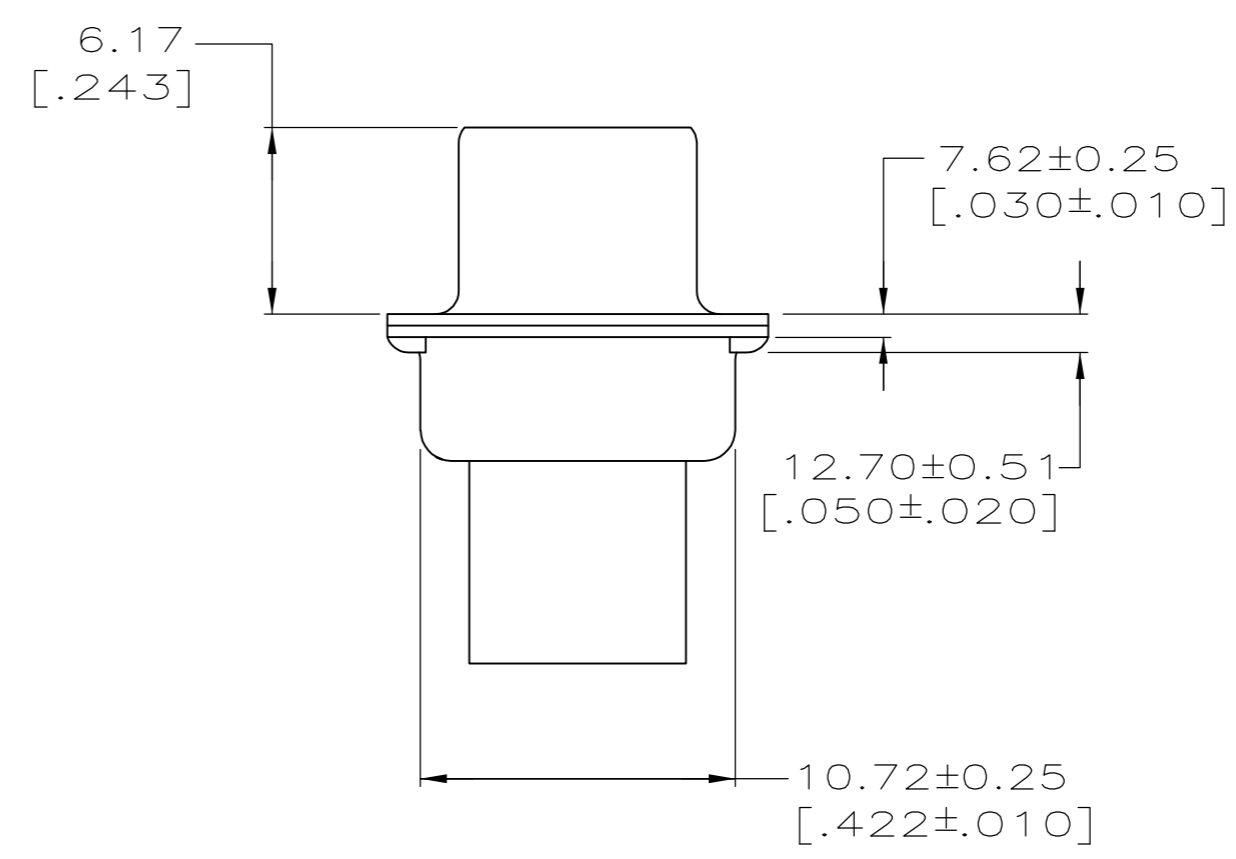
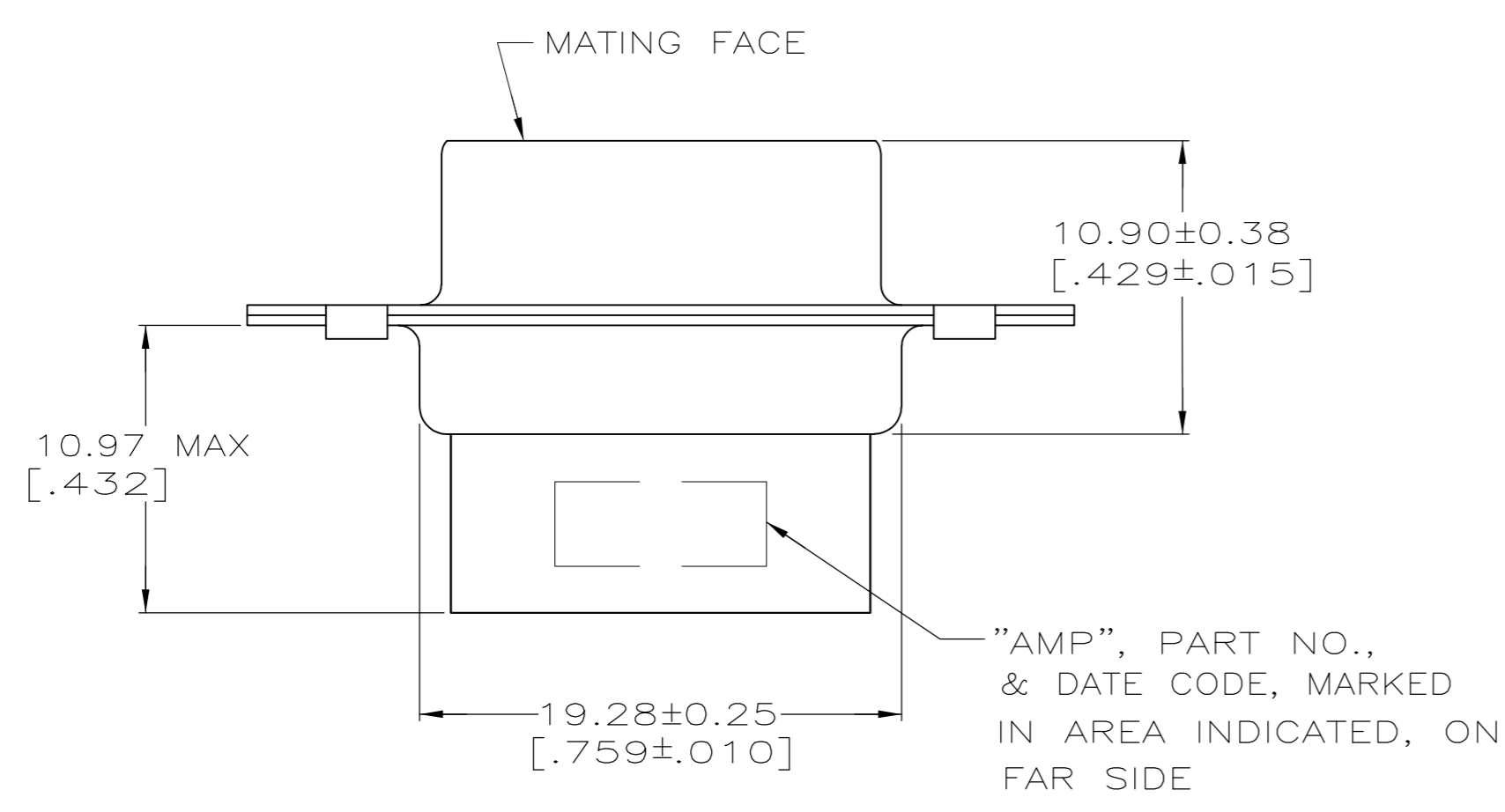


THIS DRAWING IS UNPUBLISHED. RELEASED FOR PUBLICATION  
 © COPYRIGHT BY TYCO ELECTRONICS CORPORATION. ALL RIGHTS RESERVED.

LOC	DIST	REVISIONS			
P	LTR	DESCRIPTION	DATE	DWN	APVD
GP	00				
	K1	REVISED PER ECO-07-008164	27JUL07	JDP	OWR



- CONNECTOR ACCEPTS SIZE 20 DF SOCKET CONTACTS, RETENTION TINES ARE AN INTEGRAL PART OF INSERT.
- CONNECTOR COMPLIES WITH 108-40005 WHERE APPLICABLE.
- MOLDED PARTS: NYLON, FLAME RETARDANT, 94V-0 RATED, GLASS FILLED, BLACK.
- SHELLS: STEEL PER ASTM A109.
- ZINC PLATED PER ASTM B633; TYPE II; CLASS SC1; YELLOW CHROMATE.
- TIN PLATED PER MIL-T-10727 OVER COPPER PER MIL-C-14550.
- CHROME PLATED.
- ZINC PLATED .000200-.000400 THICK, YELLOW TRIVALENT CHROMIUM CHROMATE COATING.



PACKAGING TYPE	SHELL FINISH	PART NO
STANDARD	8	205203-8
OBSOLETE SMALL PACK	5	205203-6
STANDARD	6	205203-3
OBSOLETE STANDARD	5	205203-1

THIS DRAWING IS A CONTROLLED DOCUMENT.		DWN S. WELDON 7-19-85	Tyco Electronics Corporation Harrisburg, PA 17105-3608	
DIMENSIONS: INCHES	TOLERANCES UNLESS OTHERWISE SPECIFIED:	CHK J. GERACE 7-29-85	RCPT CONNECTOR, SIZE 1, 9 POSN, AMPLIMITE, HDP	
	0 PLC ± -	APVD V. KUMAR 7-31-85	SIZE A2	CAGE CODE 00779
	1 PLC ± -	PRODUCT SPEC -	DRAWING NO C=205203	RESTRICTED TO -
	2 PLC ± 0.13 [.005]	APPLICATION SPEC -	SCALE 4:1	SHEET 1 OF 1
	3 PLC ± -	WEIGHT -	REV K1	
	4 PLC ± -	FINISH SHELLS: SEE TABLE		
MATERIAL	ANGLES ± -	CUSTOMER DRAWING		

2052035203